

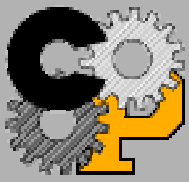
OPAL Production

Phillip Spindler

Aeronautical and Astronautical Engineering
Purdue University



Spring 2004



Shop Orders

A document that lays out the processes required to manufacture a part from raw material to final inspection

Part Types:

Mechanical GSE

Lifting Fixtures

“Remove Before Flight” Covers

Small Flight Parts

SO's written: 141

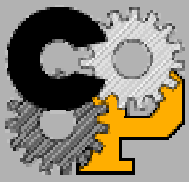
SO's outstanding: 36

SO's on hold: 29



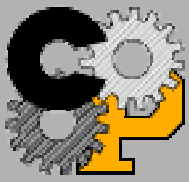
Lessons Learned

- Ball's fabrication processes
- It's much easier to do a drawing right the first time
- Check, double check, and re-check drawing dimensions and notes
- CostPoint, Agile, & PATCH
- “On time” and “hot” are very relative phrases



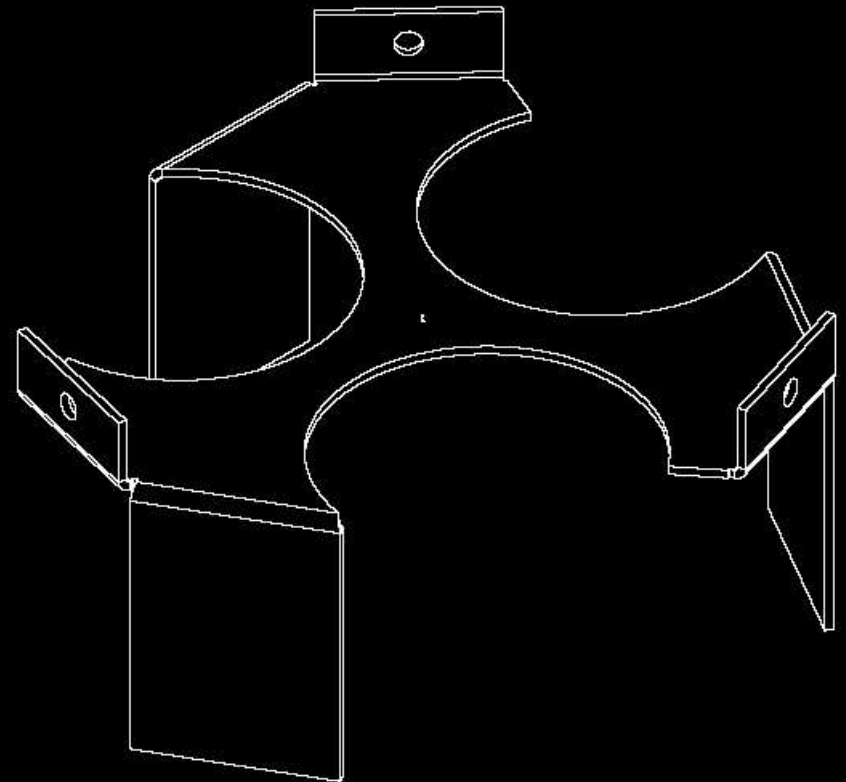
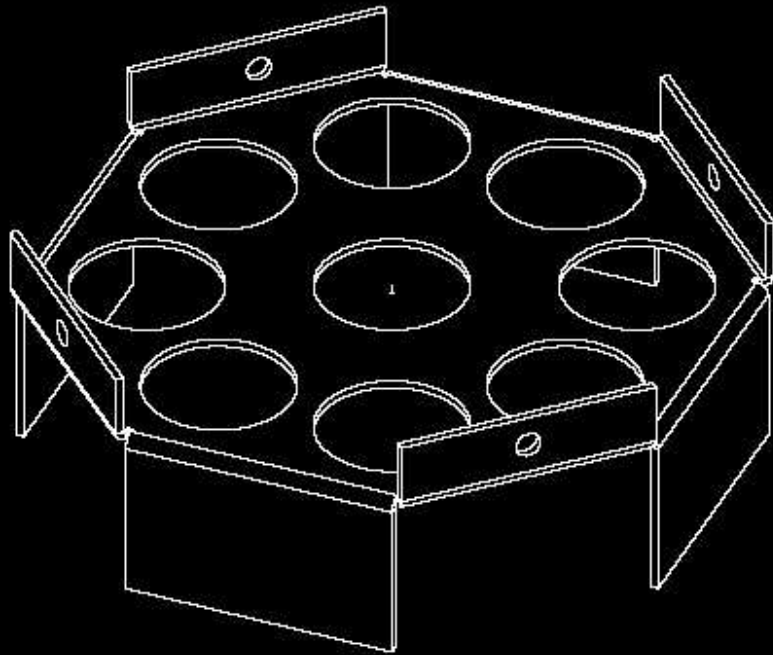
M&P Projects

- Tested plastic sheeting used during cleanroom construction
- Tested (more) gloves for to use in cleaning vacuum chambers
- Tested Personal Protection Equipment for use in cleaning vacuum chambers
- Grit blasted parts prior to Teflon coating
- Replace motors for bearing tests
- Replace strain gages for bearing tests



M&P Shipping Insert

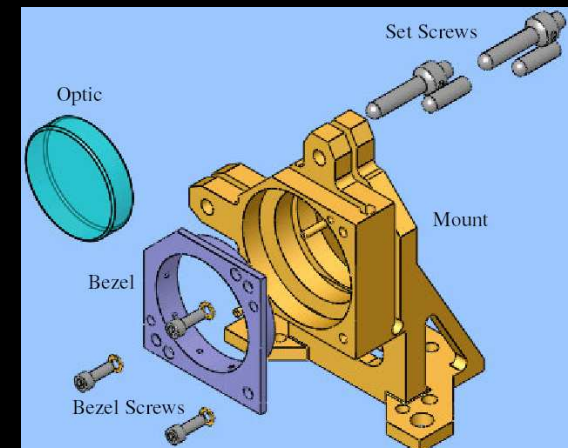
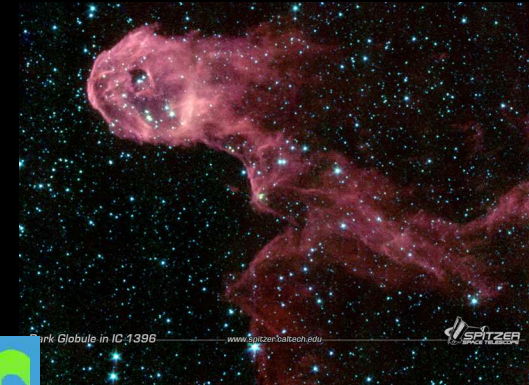
- Used to ship glass sample jars to and from Broomfield
- Sets inside of a paint can to prevent breaks and spills

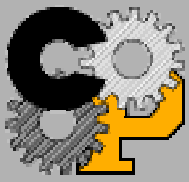




Previous Project Status

- SIRTf (Spitzer Space Telescope)
 - Launched and is taking pictures
- OMPS
 - Software written still in use
- M&P Glove and Swab testing
 - Nitrile glove EMS released and in use
- LaserCom Mirror Mount
 - Fabricated and going through testing





Thanks

Mike Davis
Suzanne Delchamps

Carlos Rice
Darrell McConnell
Frank Prunk
Royce Short

Mike Pirkey